



PG Type
Motors

Reference Characteristics

Motor Size	PG20L — D20		
Reduction Ratio	1 / 34.3	1 / 91	1 / 185.4
Drive Method	2 — 2 PHASE		
Drive Circuit	BIPOLAR CONST. VOLT.		
Drive Voltage	12 [V]		
Step Angle (2phase drive)	0.524°	0.197°	0.097°
DC Resistance	80 [Ω]		
Insulation Resistance	100M [Ω] MIN		
Dielectric Strength	AC 500 [V] 1 [min]		
Class of Insulation	CLASS B (U — except lead wire)		
Operating Temp.	0 [°C] ~ 50 [°C]		
Storage Temp.	- 30 [°C] ~ 80 [°C]		
Operating Hum.	20 [%] RH ~ 90 [%] RH		

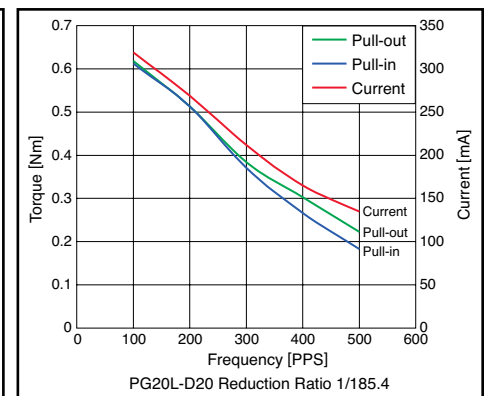
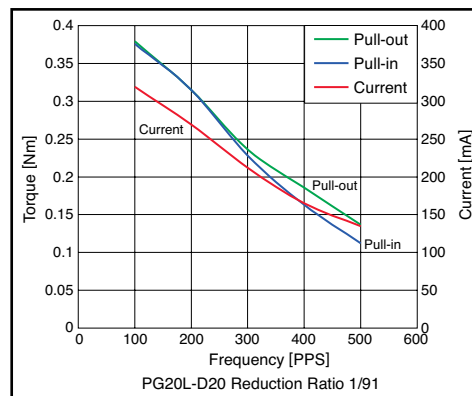
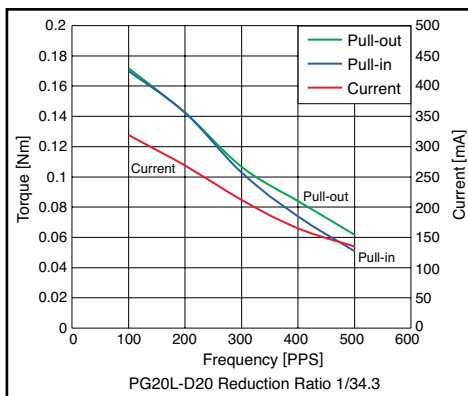
Applications

Home electric appliances : Air-conditioners

OA Equipment : Printers / Photocopiers

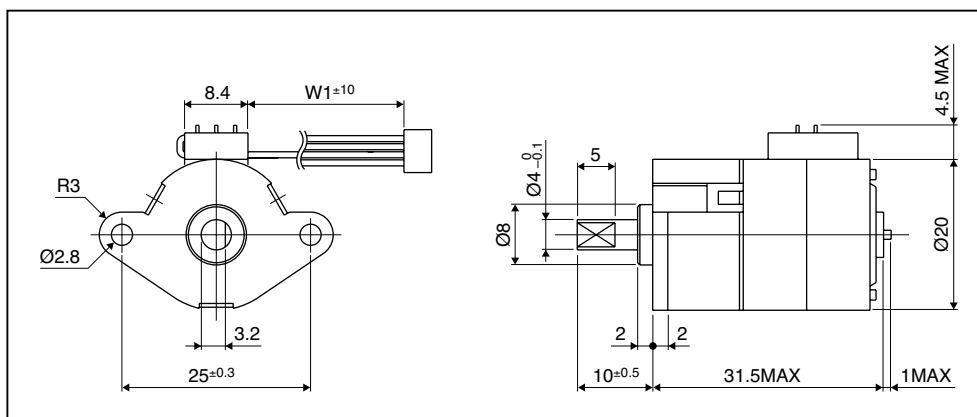
Power Tools : Drills / Drivers

Torque Characteristics



These torque values are reference only. Heat radiation conditions and temperature rise effect by duty are different on each equipment, therefore please select motors after considering the actual equipment.

Dimensions



Please contact our sales for inventory and lot information. Specification may be changed without notice.



PG Type
Motors

Reference Characteristics

Motor Size	PG20L — C20		
Reduction Ratio	1 / 6	1 / 18	1 / 24
Number of Steps per Rotation	120 (3° / Step)	360 (1° / Step)	480 (0.75° / Step)
Drive Method	2 — 2 PHASE		
Drive Circuit	UNIPOLAR CONST. VOLT.		
Drive Voltage	18 [V]		
DC Resistance	300 [Ω]		
Drive IC	25C3346		
Magnet Material	Nd-Fe-B bonded magnet (MS80)		
Operation Frequency	250pps Continuous run		
Max.Load Torque	Continuous 19.6mNm (Reference) Instantaneous 98mNm (Reference)		
Insulation Resistance	100M [Ω] MIN		
Dielectric Strength	AC 500 [V] 1 [min]		
Class of Insulation	CLASS B (U — except lead wire)		
Operating Temp.	0 [°C] ~ 65 [°C]		
Storage Temp.	- 30 [°C] ~ 80 [°C]		
Operating Hum.	20 [%] RH ~ 90 [%] RH		

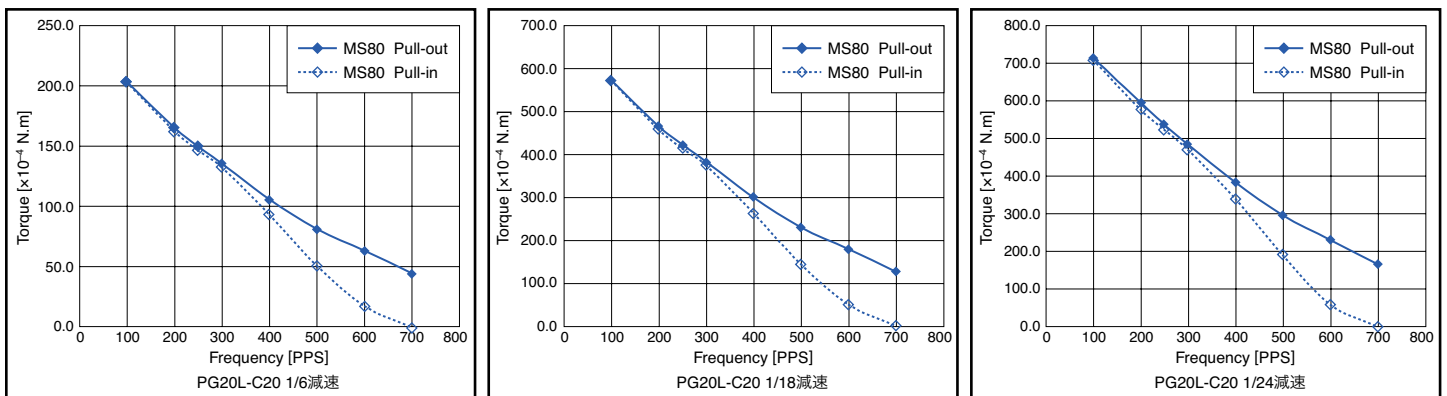
Applications

Game Equipment : Pachinko

OA Equipment : Printers / Photocopiers

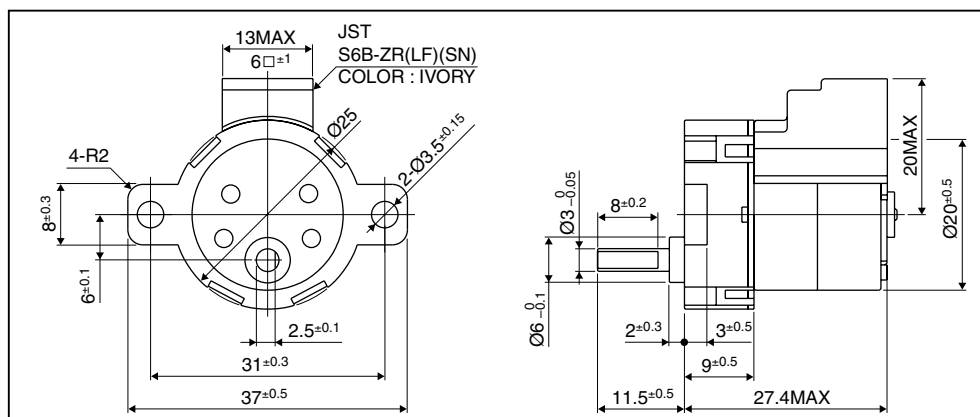
Power Tools : Drills / Drivers

Torque Characteristics



These torque values are reference only. Heat radiation conditions and temperature rise effect by duty are different on each equipment, therefore please select motors after considering the actual equipment.

Dimensions



Please contact our sales for inventory and lot information. Specification may be changed without notice.



PG Type
Motors

Reference Characteristics

Motor Size	PG20S — D20		
Reduction Ratio	1 / 34.3	1 / 91	1 / 185.4
Drive Method	2 — 2 PHASE		
Drive Circuit	BIPOLAR CONST. VOLT.		
Drive Voltage	12 [V]		
Step Angle (2phase drive)	0.524°	0.197°	0.097°
DC Resistance	120 [Ω]		
Insulation Resistance	100M [Ω] MIN		
Dielectric Strength	AC500 [V] 1 [min]		
Class of Insulation	CLASS B (U — except lead wire)		
Operating Temp.	0 [°C] ~ 50 [°C]		
Storage Temp.	- 30 [°C] ~ 80 [°C]		
Operating Hum.	20 [%] RH ~ 90 [%] RH		

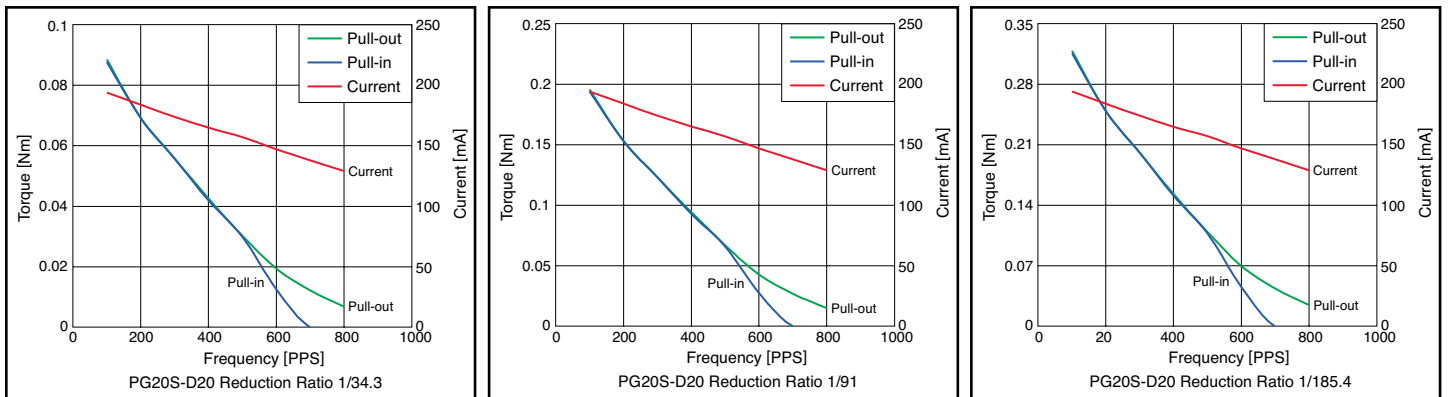
Applications

Home electric appliances : Air-conditioners

OA Equipment : Printers / Photocopiers

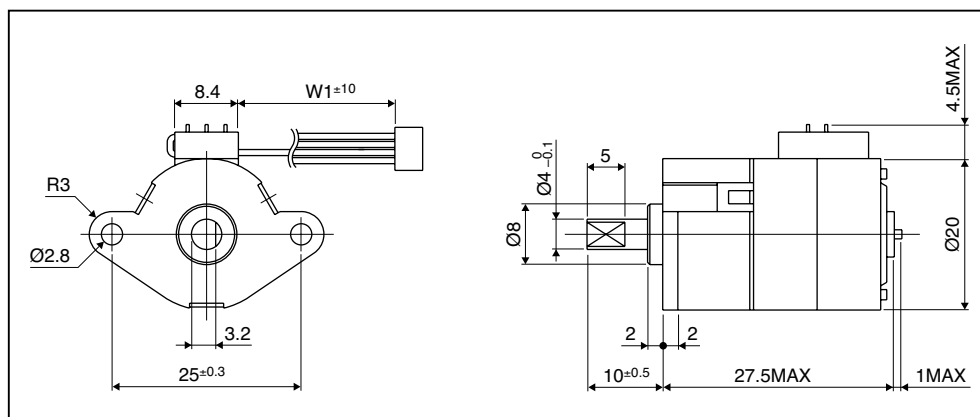
Power Tools : Drills / Drivers

Torque Characteristics



These torque values are reference only. Heat radiation conditions and temperature rise effect by duty are different on each equipment, therefore please select motors after considering the actual equipment.

Dimensions



Please contact our sales for inventory and lot information. Specification may be changed without notice.